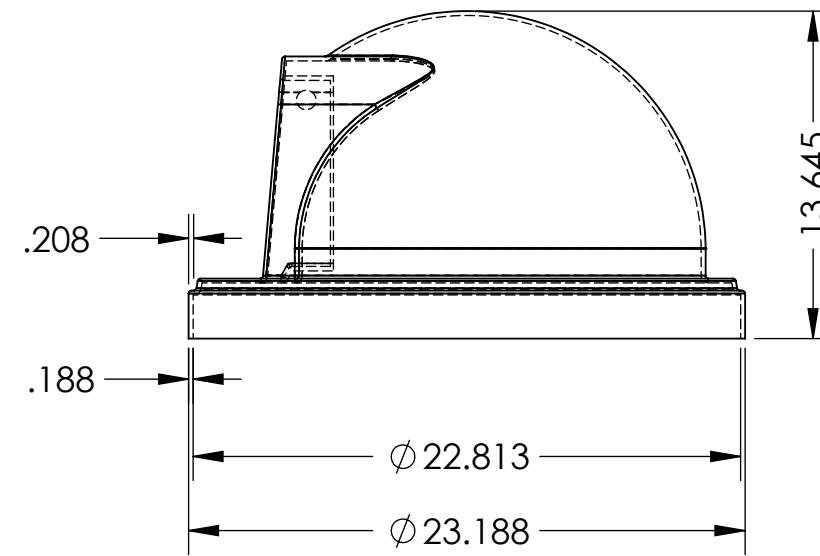
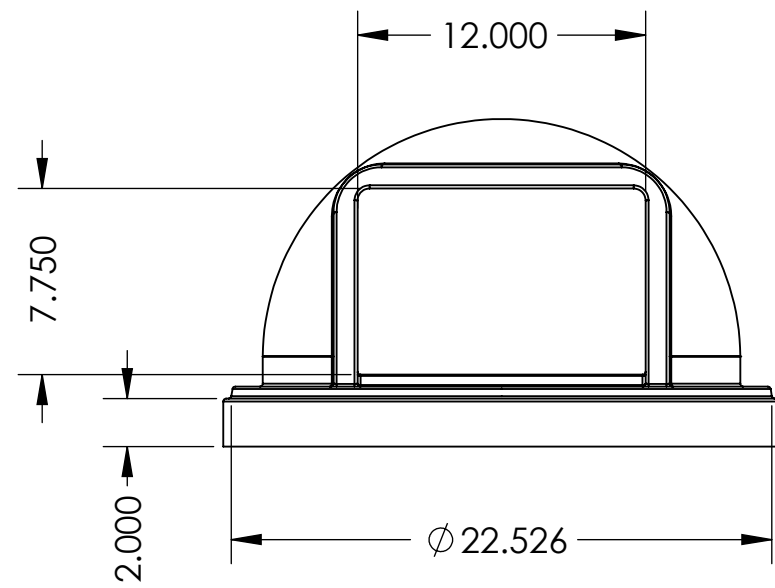
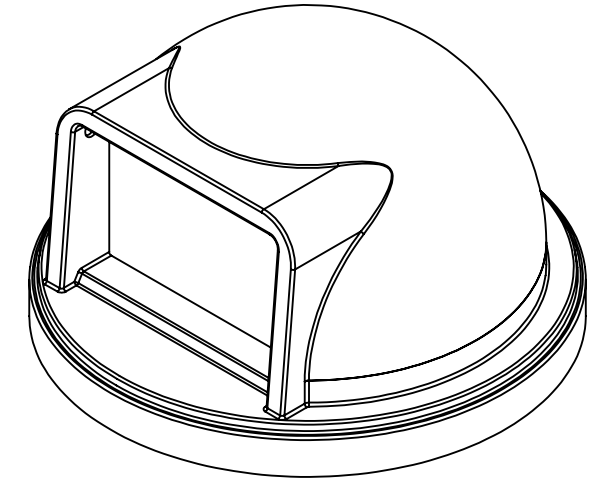
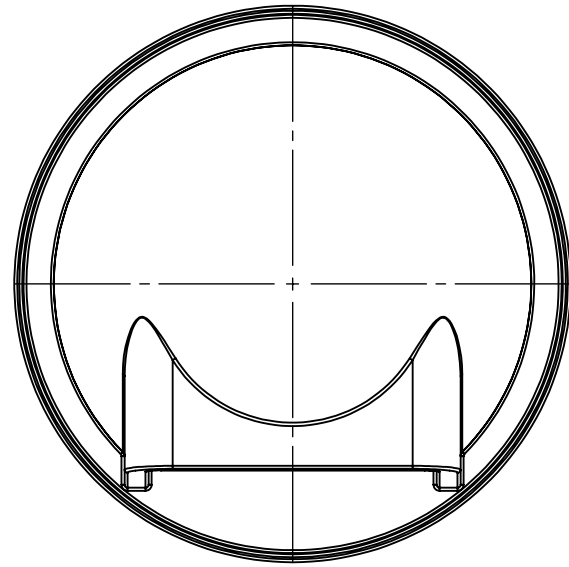


PART NUMBER 2610-BK



UNLESS OTHERWISE SPECIFIED: MATERIAL: LLDPE
DIMENSIONS ARE IN INCHES
TOLERANCES:

FRACTIONAL: $\pm 1/32$ "
ANGULAR: ± 1 deg
.X ± 0.030 "
.XX ± 0.020 "
.XXX ± 0.010 "