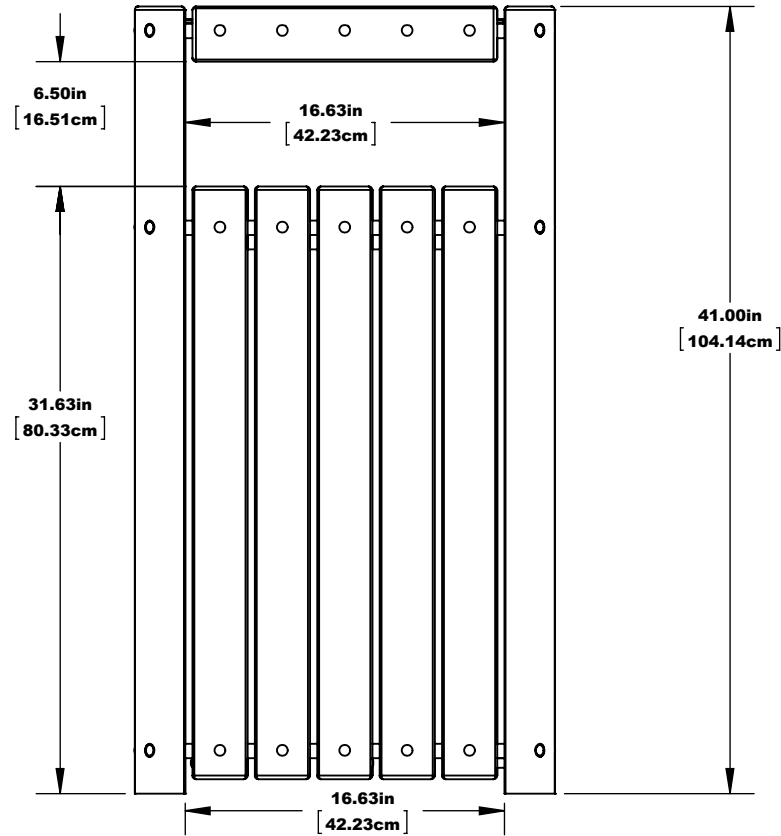
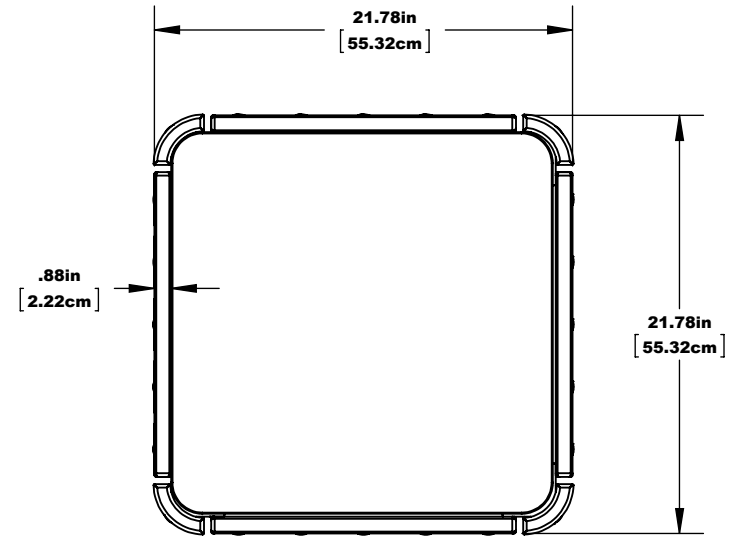


33 GALLON SIDE LOAD TRASH CONTAINER



SIDE



TOP

CONSTRUCTION MATERIALS:

CORNER SLAT - 2 7/8 RADIUS RECYCLED PLASTIC LUMBER

MIDDLE SLAT - 2 7/8 X 7/8 RECYCLED PLASTIC LUMBER

FRAME - RECYCLED PLASTIC LUMBER

HARDWARE:

STAINLESS STEEL, ALUMINUM

UNLOADING DETAILS

